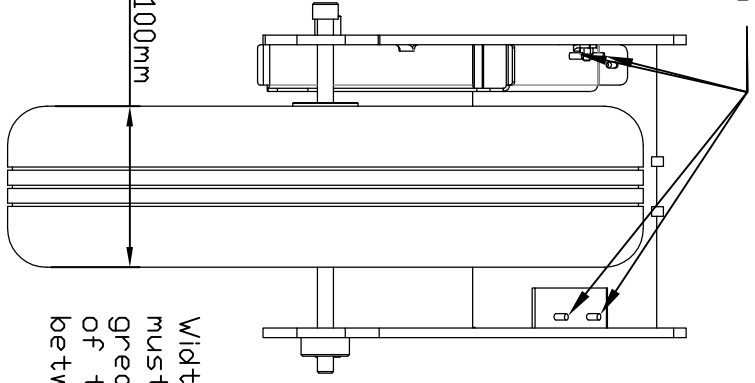


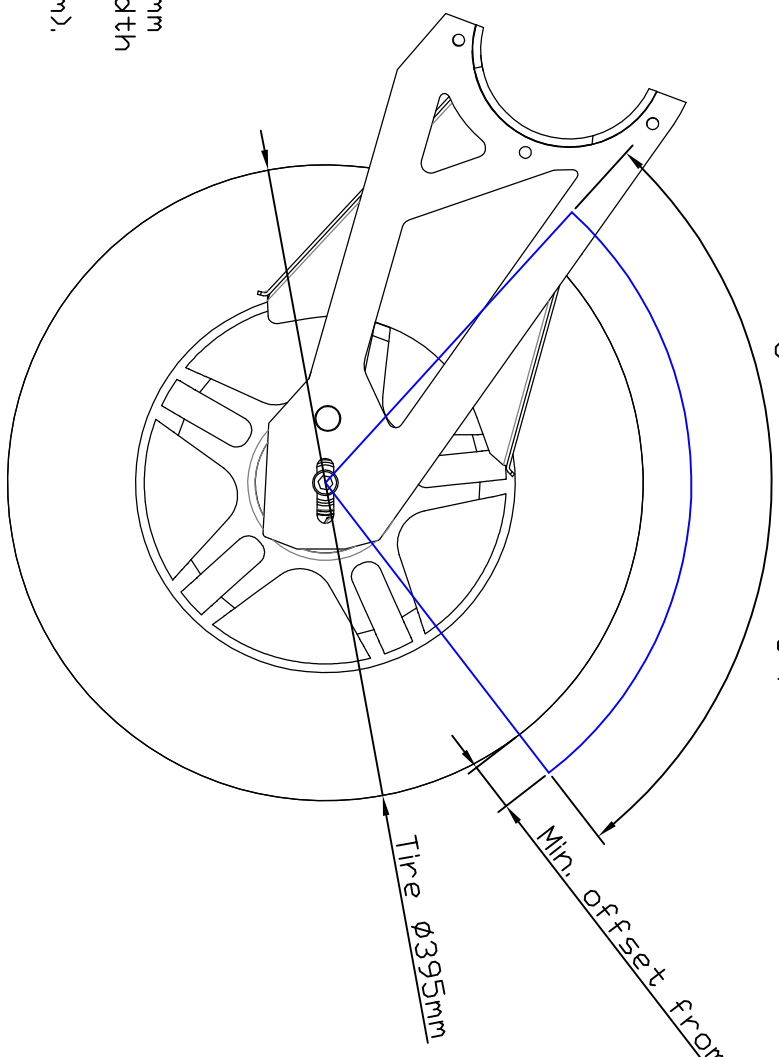
Fender has to be fixed to swingarm with 4 M4 bolts. (See the STEP model for more details)



Width of tire 100mm

Width of the fender must be at least 20mm greater than the width of the tire (except between the swingarm).

Minimum 100° starting from the fixing point (M4 bolts)



Tire $\phi 339.5\text{mm}$

Min. offset from tire 30mm